
	Product Information 50WQ15-15-1.5(I)	Manufacturer	Nanfeng Pump Industry Co.,Ltd (CNP)
		Address	Hangzhou, Zhejiang, China
		Contact	86-571-88637351
		Date	2023/06/23
Project Name		Client Name	Ikhua Engineering SB
Item NO		Client Addr.	Tmn Ind. Selesa Jaya.
		Contacts	Nor Alera
		Contact	016-2383778

Part NO.	50WQ15-15-1.5(I)
----------	------------------

Product Picture: (Note: Images may not be the same as the product)	Note
	<p>The sewage submersible pump is composed of two parts: the motor and the pump. The two are separated by an oil chamber and a mechanical seal assembly. Divided into fixed automatic coupling installation and mobile installation</p>

Technology	
Pump rotator speed	2880
Nameplate standards	CE
Material	
Impeller	HT200
Pump shaft	20cr13
Pump case	HT200
Rubber code	P
Installation	
Connection Code	F
Maximum Pressure/Temperature (high temperature)	6bar/40°C
Flange Standard	DIN
Pressure Class	PN6
Medium	
Medium Temperature	40°C//40-80°C
Maximum diameter of particles (mm)	20
Maximum Environment Temperature	40°C
Structure dimension	
Standard caliber	DN
Outlet Diameter	DN50
Motor	
Number of Motor Phase	Three Phase
Protection Class	IP68
Insulation Class	F
Motor Power	1.5KW
Power Frequency	50HZ
Rated Voltage (V)	380V
Rated Current (A)	3.3
Starting mode	direct boot
Seal	
Mechanical Seal	H-20
Others	
Weight (kg)	33

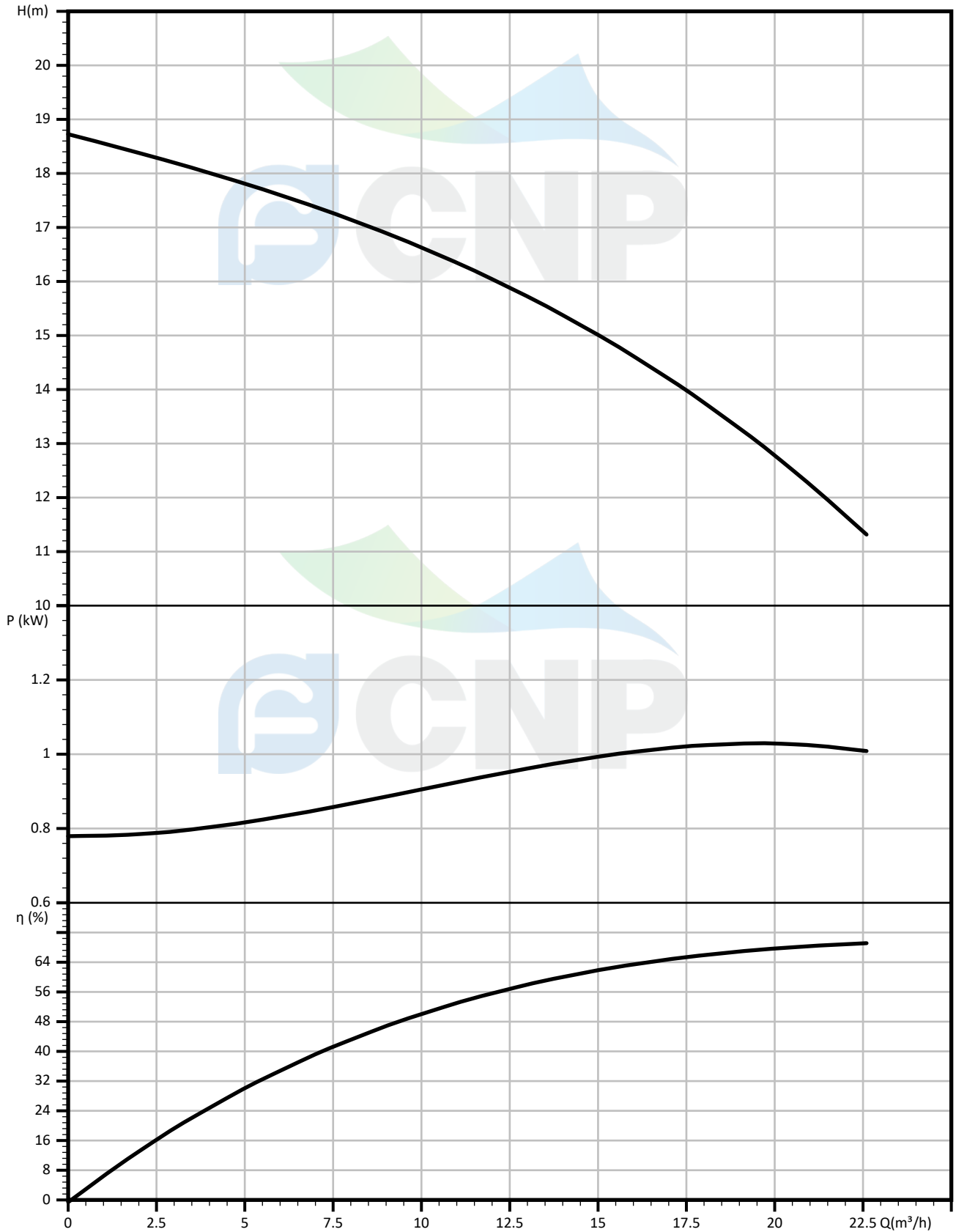


Performance Curve 50WQ15-15-1.5(I)

Manufacturer	Nanfeng Pump Industry Co.,Ltd (CNP)
Address	Hangzhou, Zhejiang, China
Contact	86-571-88637351
Date	2023/06/23
Client Name	Ikhua Engineering SB
Client Addr.	Tmn Ind. Selesa Jaya.
Contacts	Nor Alera
Contact	016-2383778

Project Name	
Item NO	

The hydraulic performance curve have been tested with Water at °C, density 1000kg/m³,and at 1bar atmospherical pressure. GB32162016 Grande 3B





Pump Technical Parameters

50WQ15-15-1.5(I)

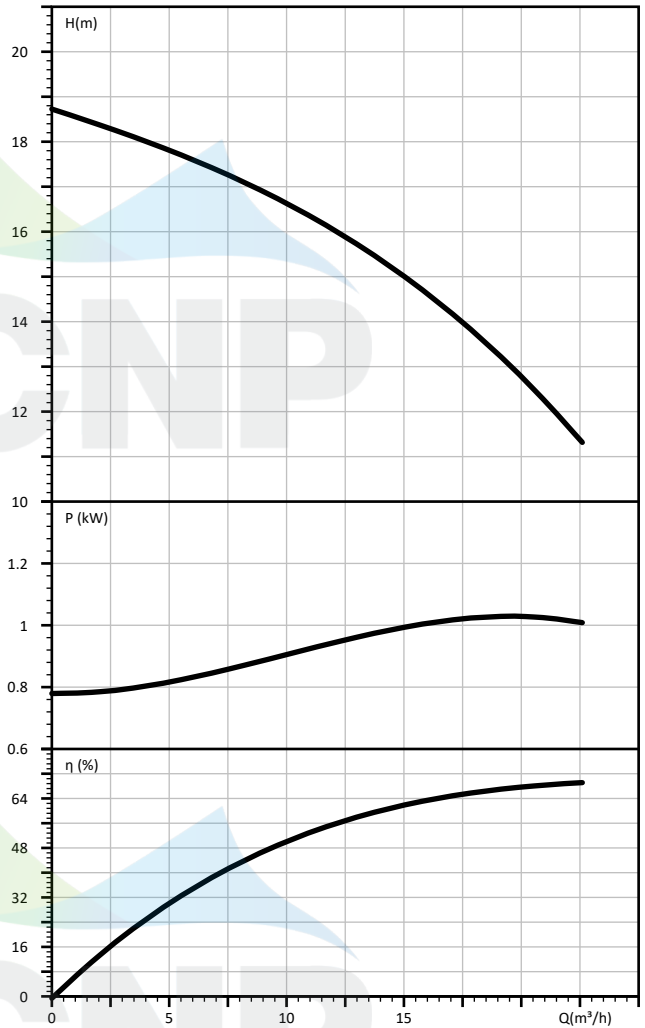
Manufacturer	Nanfeng Pump Industry Co.,Ltd (CNP)
Address	Hangzhou, Zhejiang, China
Contact	86-571-88637351
Date	2023/06/23
Client Name	Ikhua Engineering SB
Client Addr.	Tmn Ind. Selesa Jaya.
Contacts	Nor Alera
Contact	016-2383778

Rated parameters

Pump model	50WQ15-15-1.5(I)
Part NO.	50WQ15-15-1.5(I)
Rated flow	15 m ³ /h
Rated head	15 m
Rated efficiency (%)	58.4
Power (kW)	1.055
Speed (rpm)	2880

Medium

Pumped medium	Water
Working temperature (°C)	20
Medium density (kg/m ³)	1000
Viscosity (mm ² /s)	1





Installation picture

50WQ15-15-1.5(I)

Manufacturer	Nanfeng Pump Industry Co.,Ltd (CNP)
Address	Hangzhou, Zhejiang, China
Contact	86-571-88637351
Date	2023/06/23
Client Name	Ikhua Engineering SB
Client Addr.	Tmn Ind. Selesa Jaya.
Contacts	Nor Alera
Contact	016-2383778

Project Name

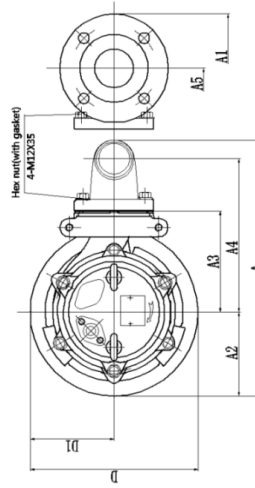
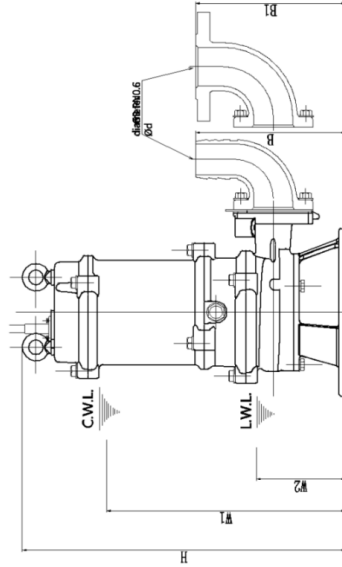
Item NO

CNP Nanfang Zhongjin Environment Co., Ltd.

DIMENSION DRAWING		No.	No.
TYPE submersible sewage pump		MODEL	50WQ15-15-1.5

MODEL	d	A	A1	A2	A3	A4	A5	B	B1	D	D1	W1	W2	H	Body weight
50WQ15-15-1.5	50	363	420	120	156	223	236	216	216	240	120	310	151	475	33.0kg

50	1.5kg	3.5kg
50	1.5kg	3.5kg



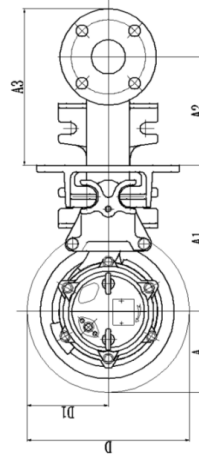
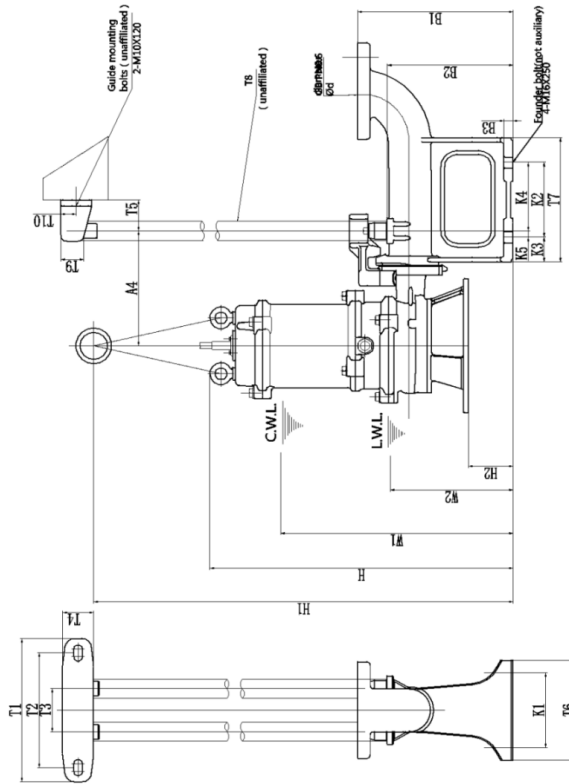
C.W.L.: minimum water level under continuous operation
L.W.L.: minimum water level under possible operation

Nanfeng Zhongjin Environment CO.,LTD. unit : mm

CNP Nanfang Zhongjin Environment Co., Ltd.

DIMENSION DRAWING		No.	No.
TYPE submersible sewage pump		MODEL	50WQ15-15-1.5

MODEL	A	A1	A2	A3	A4	A5	B	B1	D	D1	W1	W2	H	H2	Body weight						
50WQ15-15-1.5	120	261	155	225	211	211	240	240	240	120	369	210	504	934	33kg						
Outer diameter	T1	T2	T3	T4	T5	T6	T7	T8	T9	T10	R1	R2	R3	R4	R5						
50WQ15-15-1.5	50	280	185	70	90	50	160	200	179	94	35	25	120	120	40	110	10	250	202.5	15	15.5kg



C.W.L.: minimum water level under continuous operation
L.W.L.: minimum water level under possible operation

Nanfeng Zhongjin Environment CO.,LTD. unit : mm



Structure picture
50WQ15-15-1.5(I)

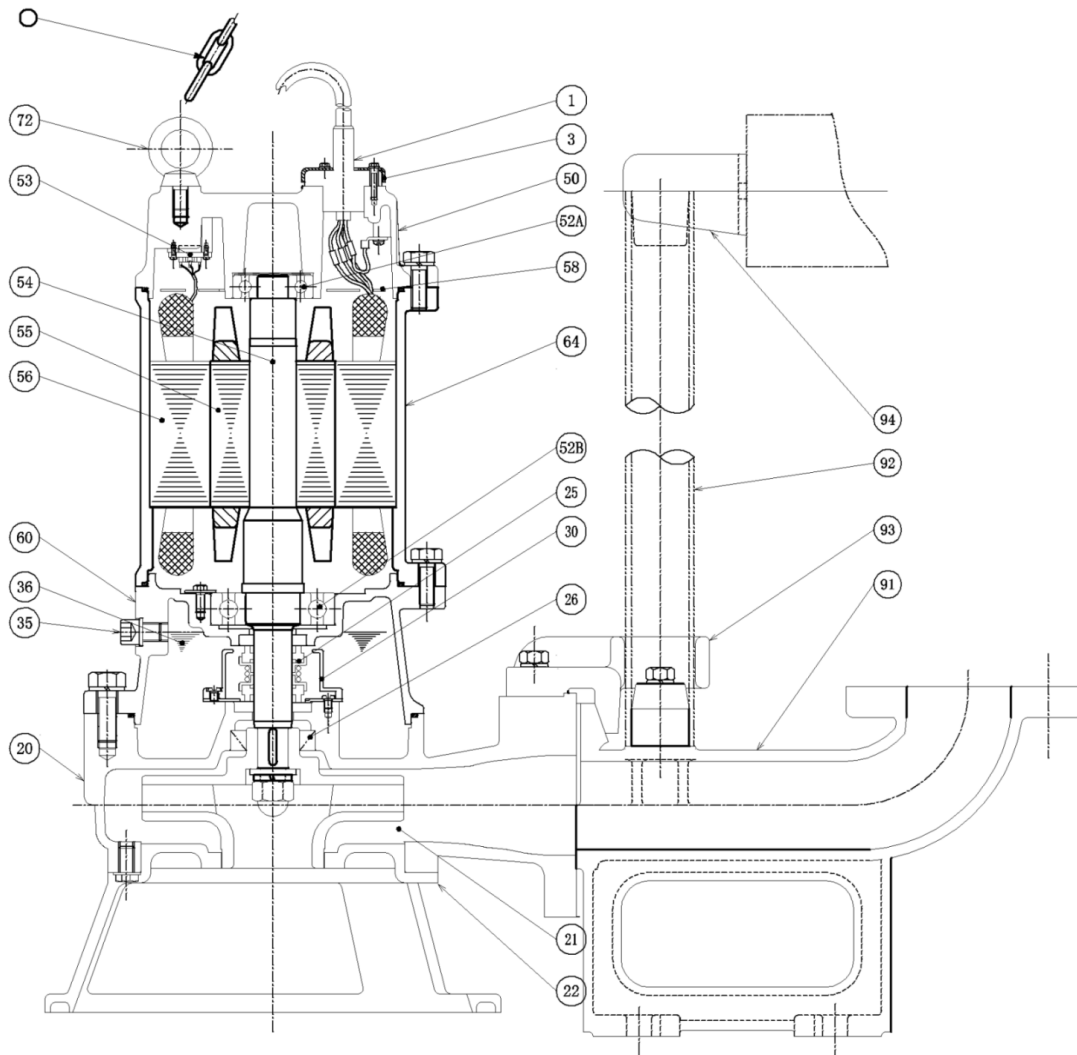
Manufacturer	Nanfang Pump Industry Co.,Ltd (CNP)
Address	Hangzhou, Zhejiang, China
Contact	86-571-88637351
Date	2023/06/23
Client Name	Ikhua Engineering SB
Client Addr.	Tmn Ind. Selesa Jaya.
Contacts	Nor Alera
Contact	016-2383778

Project Name

Item NO

CNP Nanfang Zhongjin Environment Co., Ltd.

SECTIONAL DRAWING		No.	No.
TYPE	submersible sewage pump	MODEL	WQ-1.5/2.2/3.0/4.0kW



order specifications

No.	names of parts	number	material	No.	names of parts	number	material
1	cable	1	YZW	22	water inlet cover	1	HT200
3	cable cover	1	SUS304	20	casing	1	HT200
50	top cover	1	HT200	35	oil filler plug	1	SUS304
52A	upper bearing	1		36	machine oil 32#		
58	cable transit board	1		60	lower cover	1	HT200
64	base	1	HT200	56	stator	1	
52B	lower bearing	1		55	rotor	1	
25	mechanical seal	1	Carbon/SiC	54	shaft	1	
30	oil lift	1		53	thermal protector	1	
26	framework oil seal	1	NBRI-2	72	eye bolt	2	45#(forging galvanized)
93	guide hook	1	HT200	91	water outlet base	1	HT200
21	impeller	1	HT200	94	guiding	1	HT200
510	lift chain	1	SUS304	92	pipe	1	SUS304(unaffiliated)

Nanfang Zhongjin Environment CO.,LTD.

unit : mm



Physical picture
50WQ15-15-1.5(I)

Manufacturer	Nanfeng Pump Industry Co.,Ltd (CNP)
Address	Hangzhou, Zhejiang, China
Contact	86-571-88637351
Date	2023/06/23
Client Name	Ikhua Engineering SB
Client Addr.	Tmn Ind. Selesa Jaya.
Contacts	Nor Alera
Contact	016-2383778

Project Name

Item NO

