



| | | | |
|--|---|--------------|-------------------------------------|
|  | Product Information 100WQ50-7-2.2(I) | Manufacturer | Nanfeng Pump Industry Co.,Ltd (CNP) |
| | | Address | Hangzhou, Zhejiang, China |
| | | Contact | 86-571-88637351 |
| | | Date | 2023/06/23 |
| Project Name | | Client Name | Ikhua Engineering SB |
| | | Client Addr. | Tmn Ind. Selesa Jaya. |
| Item NO | | Contacts | Nor Alera |
| | | Contact | 016-2383778 |

| | |
|----------|------------------|
| Part NO. | 100WQ50-7-2.2(I) |
|----------|------------------|

| | |
|---|---|
| Product Picture: (Note: Images may not be the same as the product) | Note |
|  | <p>The sewage submersible pump is composed of two parts: the motor and the pump. The two are separated by an oil chamber and a mechanical seal assembly. Divided into fixed automatic coupling installation and mobile installation</p> |

| | |
|---|---------------|
| Technology | |
| Pump rotator speed | 2880 |
| Nameplate standards | CE |
| Material | |
| Impeller | HT200 |
| Pump shaft | 20cr13 |
| Pump case | HT200 |
| Rubber code | P |
| Installation | |
| Connection Code | F |
| Maximum Pressure/Temperature (high temperature) | 6bar/40°C |
| Flange Standard | DIN |
| Pressure Class | PN6 |
| Medium | |
| Medium Temperature | 40°C//40-80°C |
| Maximum diameter of particles (mm) | 45 |
| Maximum Environment Temperature | 40°C |
| Structure dimension | |
| Standard caliber | DN |
| Outlet Diameter | DN100 |
| Motor | |
| Number of Motor Phase | Three Phase |
| Protection Class | IP68 |
| Insulation Class | F |
| Motor Power | 2.2KW |
| Power Frequency | 50HZ |
| Rated Voltage (V) | 380V |
| Rated Current (A) | 4.6 |
| Starting mode | direct boot |
| Seal | |
| Mechanical Seal | H-25 |
| Others | |
| Weight (kg) | 48 |

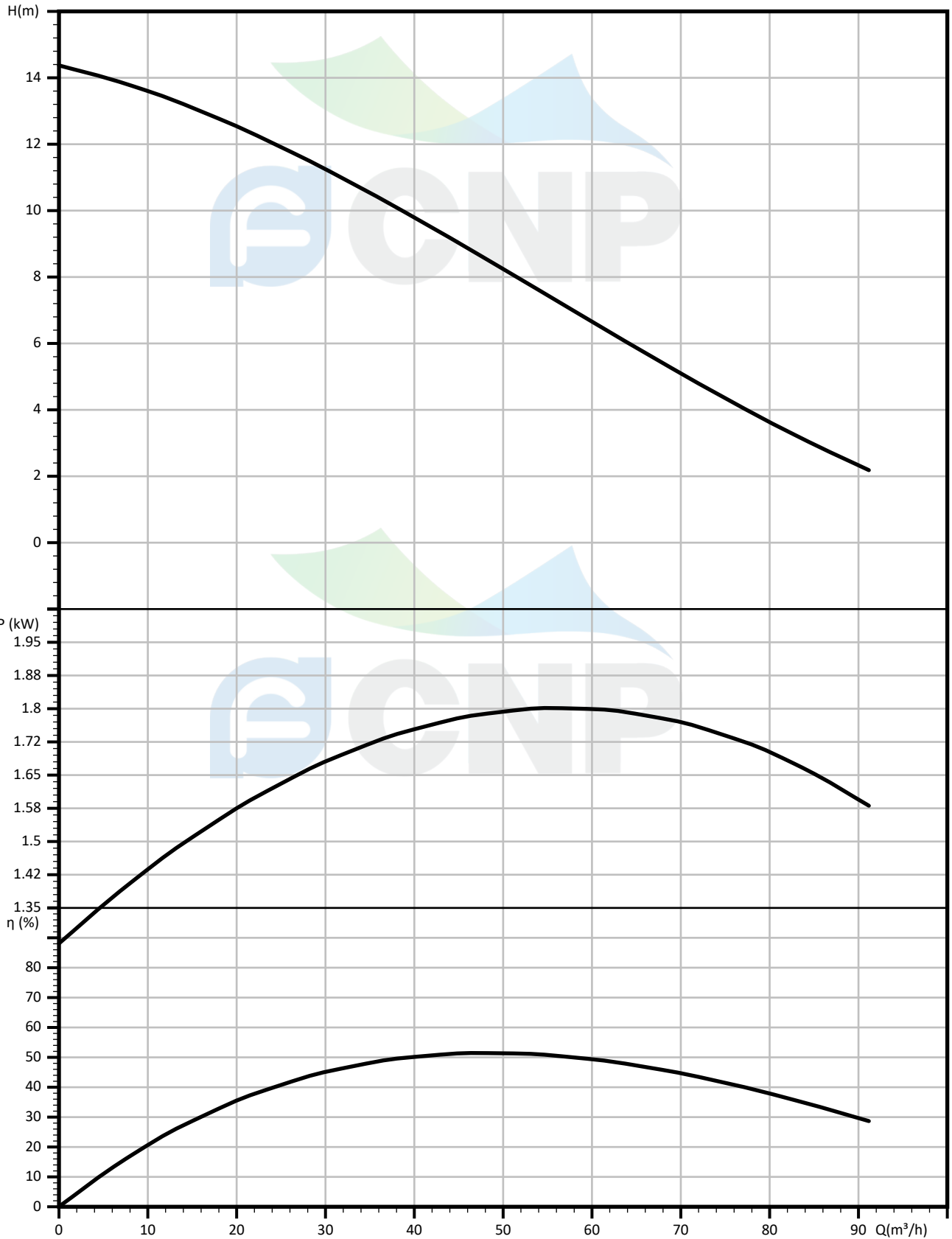


Performance Curve 100WQ50-7-2.2(I)

| | |
|--------------|-------------------------------------|
| Manufacturer | Nanfeng Pump Industry Co.,Ltd (CNP) |
| Address | Hangzhou, Zhejiang, China |
| Contact | 86-571-88637351 |
| Date | 2023/06/23 |
| Client Name | Ikhua Engineering SB |
| Client Addr. | Tmn Ind. Selesa Jaya. |
| Contacts | Nor Alera |
| Contact | 016-2383778 |

| | |
|--------------|--|
| Project Name | |
| Item NO | |

The hydraulic performance curve have been tested with Water at °C, density 1000kg/m³,and at 1bar atmospherical pressure. GB32162016 Grande 3B





Pump Technical Parameters 100WQ50-7-2.2(I)

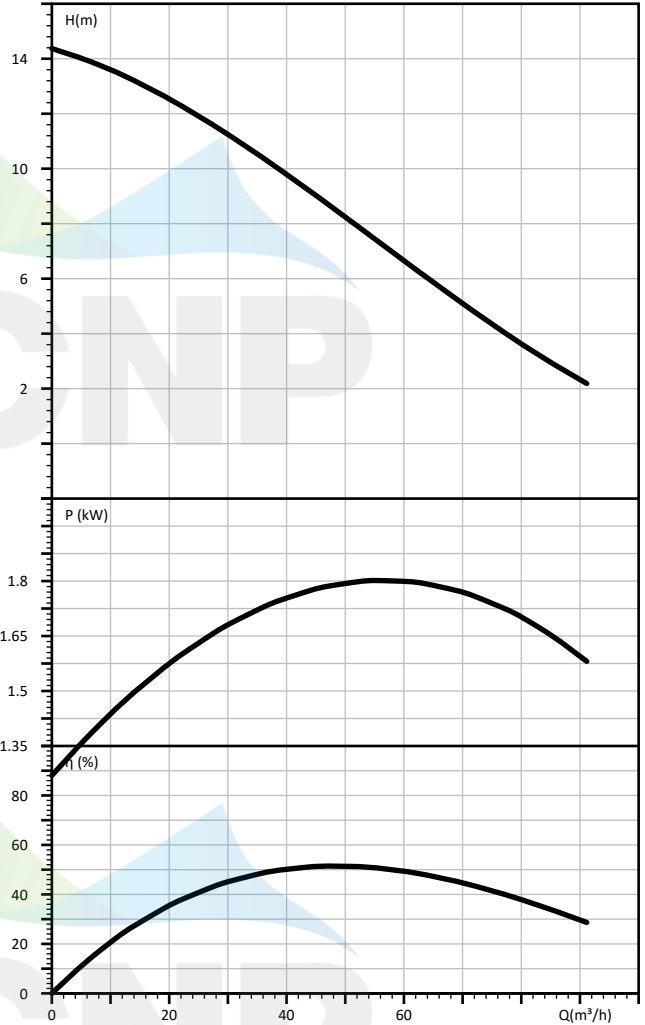
| | |
|--------------|-------------------------------------|
| Manufacturer | Nanfang Pump Industry Co.,Ltd (CNP) |
| Address | Hangzhou, Zhejiang, China |
| Contact | 86-571-88637351 |
| Date | 2023/06/23 |
| Client Name | Ikhua Engineering SB |
| Client Addr. | Tmn Ind. Selesa Jaya. |
| Contacts | Nor Alera |
| Contact | 016-2383778 |

Rated parameters

| | |
|----------------------|----------------------|
| Pump model | 100WQ50-7-2.2(I) |
| Part NO. | 100WQ50-7-2.2(I) |
| Rated flow | 50 m ³ /h |
| Rated head | 7 m |
| Rated efficiency (%) | 59.5 |
| Power (kW) | 1.821 |
| Speed (rpm) | 2880 |

Medium

| | |
|-------------------------------------|-------|
| Pumped medium | Water |
| Working temperature (°C) | 20 |
| Medium density (kg/m ³) | 1000 |
| Viscosity (mm ² /s) | 1 |





Installation picture

100WQ50-7-2.2(I)

| | |
|--------------|-------------------------------------|
| Manufacturer | Nanfang Pump Industry Co.,Ltd (CNP) |
| Address | Hangzhou, Zhejiang, China |
| Contact | 86-571-88637351 |
| Date | 2023/06/23 |
| Client Name | Ikhua Engineering SB |
| Client Addr. | Tmn Ind. Selesa Jaya. |
| Contacts | Nor Alera |
| Contact | 016-2383778 |

Project Name

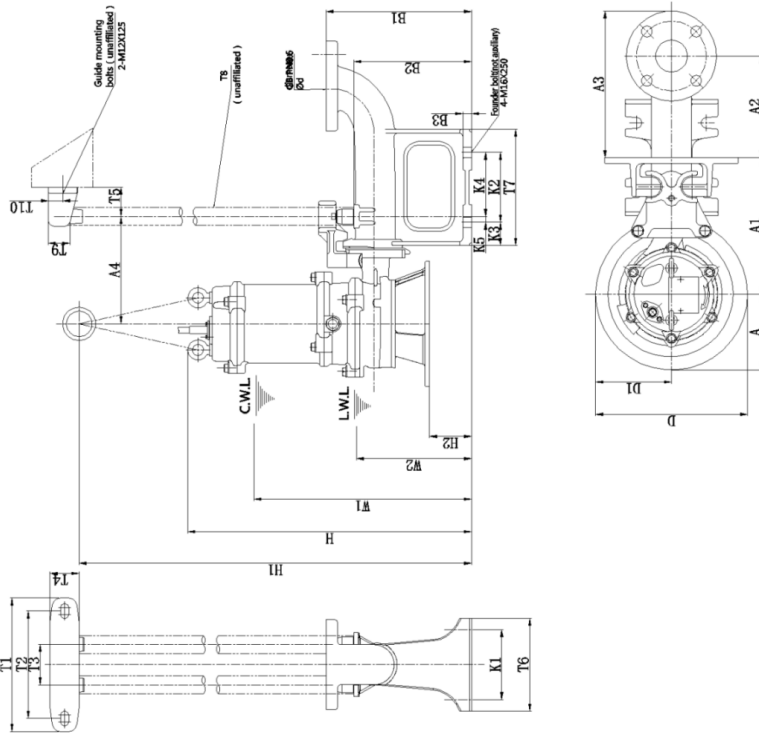
Item NO

CNP Nanfang Zhongjin Environment Co., Ltd.

| | | | |
|-------------------|-------------------------|-------|---------------|
| DIMENSION DRAWING | | No. | No. |
| TYPE | submersible sewage pump | MODEL | 100WQ50-7-2.2 |

| | | | | | | | | | | | | | | | |
|------------|-----|-----|-----|-----|-----|-----|-----|-----|-----|-----|-----|-----|-----|-----|-------------|
| MODEL | d | A | A1 | A2 | A3 | A4 | A5 | B | B1 | D | D1 | W1 | W2 | H | Body weight |
| WQ50-7-2.2 | 100 | 479 | 559 | 128 | 200 | 307 | 331 | 286 | 256 | 128 | 400 | 180 | 543 | 453 | 45kg |

| | | |
|----------|--------------|-------------|
| diameter | elbow weight | bend weight |
| 100 | 6.5kg | 10.5kg |



C.W.L. :minimum water level under continuous operation
L.W.L. :minimum water level under possible operation

Nanfang Zhongjin Environment CO.,LTD. unit : mm

C.W.L. :minimum water level under continuous operation
L.W.L. :minimum water level under possible operation

Nanfang Zhongjin Environment CO.,LTD. unit : mm



Structure picture
100WQ50-7-2.2(I)

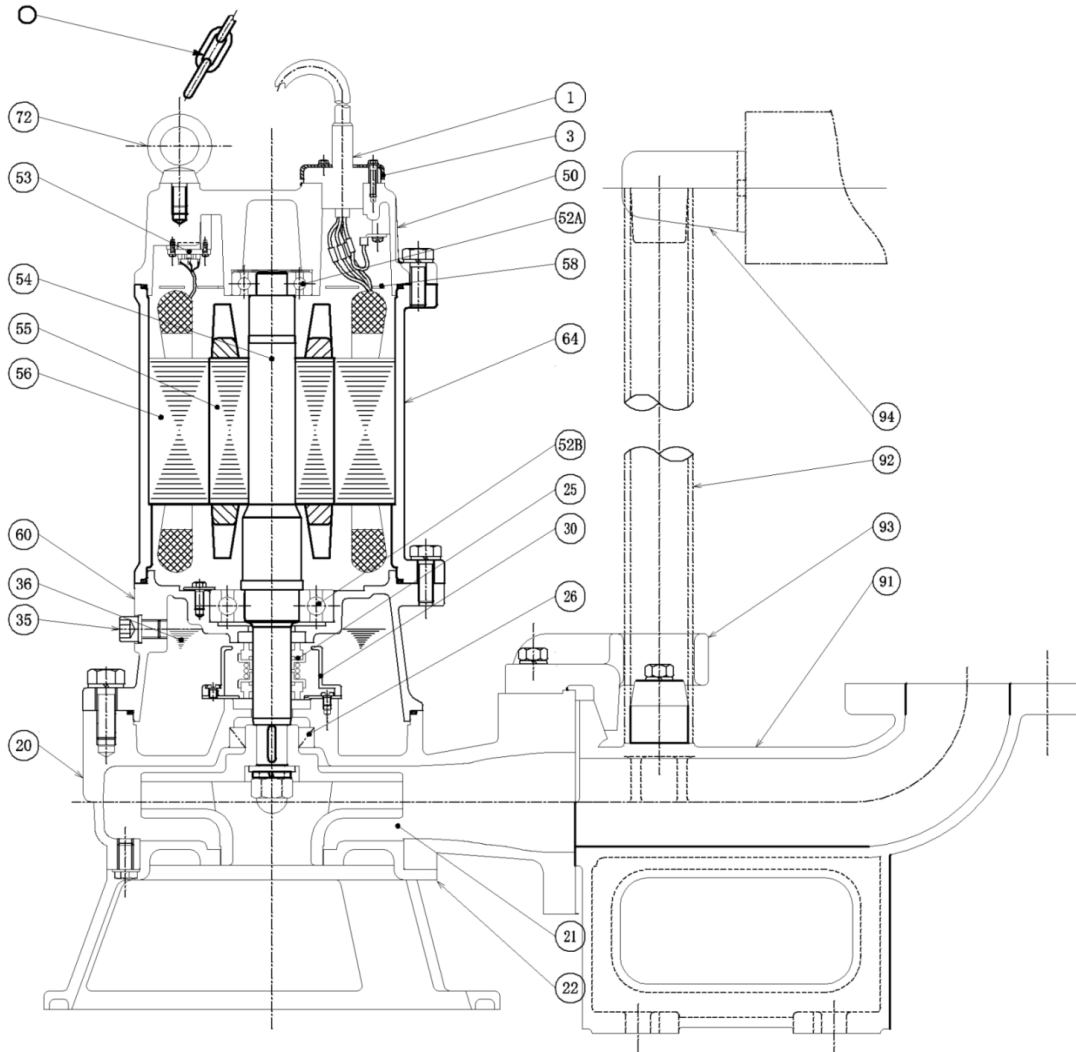
| | |
|--------------|-------------------------------------|
| Manufacturer | Nanfeng Pump Industry Co.,Ltd (CNP) |
| Address | Hangzhou, Zhejiang, China |
| Contact | 86-571-88637351 |
| Date | 2023/06/23 |
| Client Name | Ikhua Engineering SB |
| Client Addr. | Tmn Ind. Selesa Jaya. |
| Contacts | Nor Alera |
| Contact | 016-2383778 |

Project Name

Item NO

CNP Nanfang Zhongjin Environment Co., Ltd.

| | | | |
|-------------------|-------------------------|-------|----------------------|
| SECTIONAL DRAWING | | No. | No. |
| TYPE | submersible sewage pump | MODEL | WQ-1.5/2.2/3.0/4.0kW |



order specifications

| No. | names of parts | number | material | No. | names of parts | number | material |
|-----|---------------------|--------|------------|-----|-------------------|--------|-------------------------|
| 1 | cable | 1 | YZW | 22 | water inlet cover | 1 | HT200 |
| 3 | cable cover | 1 | SUS304 | 20 | casing | 1 | HT200 |
| 50 | top cover | 1 | HT200 | 35 | oil filler plug | 1 | SUS304 |
| 52A | upper bearing | 1 | | 36 | machine oil 32# | | |
| 58 | cable transit board | 1 | | 60 | lower cover | 1 | HT200 |
| 64 | base | 1 | HT200 | 56 | stator | 1 | |
| 52B | lower bearing | 1 | | 55 | rotor | 1 | |
| 25 | mechanical seal | 1 | Carbon/SIC | 54 | shaft | 1 | |
| 30 | oil lift | 1 | | 53 | thermal protector | 1 | |
| 26 | framework oil seal | 1 | NBRI-2 | 72 | eye bolt | 2 | 45#(forging galvanized) |
| 93 | guide hook | 1 | HT200 | 91 | water outlet base | 1 | HT200 |
| 21 | impeller | 1 | HT200 | 94 | guiding | 1 | HT200 |
| 510 | lift chain | 1 | SUS304 | 92 | pipe | 1 | SUS304(unaffiliated) |

Nanfeng Zhongjin Environment CO.,LTD.

unit : mm



Physical picture
100WQ50-7-2.2(I)

| | |
|--------------|-------------------------------------|
| Manufacturer | Nanfeng Pump Industry Co.,Ltd (CNP) |
| Address | Hangzhou, Zhejiang, China |
| Contact | 86-571-88637351 |
| Date | 2023/06/23 |
| Client Name | Ikhua Engineering SB |
| Client Addr. | Tmn Ind. Selesa Jaya. |
| Contacts | Nor Alera |
| Contact | 016-2383778 |

Project Name

Item NO

